

Approval body for construction products  
and types of construction

Bautechnisches Prüfamt

An institution established by the Federal and  
Laender Governments



## European Technical Assessment

ETA-05/0116  
of 4 January 2017

English translation prepared by DIBt - Original version in German language

### General Part

Technical Assessment Body issuing the  
European Technical Assessment:

Deutsches Institut für Bautechnik

Trade name of the construction product

MKT Drop-in Anchor E / ES

Product family  
to which the construction product belongs

Deformation-controlled expansion anchor  
for multiple use for non-structural  
applications in concrete

Manufacturer

MKT  
Metall-Kunststoff-Technik GmbH & Co. KG  
Auf dem Immel 2  
67685 Weilerbach

Manufacturing plant

MKT  
Metall-Kunststoff-Technik GmbH & Co. KG  
Auf dem Immel 2  
67685 Weilerbach

This European Technical Assessment  
contains

20 pages including 3 annexes

This European Technical Assessment is  
issued in accordance with Regulation (EU)  
No 305/2011, on the basis of

Guideline for European technical approval of "Metal  
anchors for use in concrete", ETAG 001 Part 6: "Anchors  
for multiple use for non-structural applications",  
January 2011,  
used as European Assessment Document (EAD)  
according to Article 66 Paragraph 3 of Regulation (EU)  
No 305/2011.

This version replaces

ETA-05/0116 issued on 25 September 2015

The European Technical Assessment is issued by the Technical Assessment Body in its official language. Translations of this European Technical Assessment in other languages shall fully correspond to the original issued document and shall be identified as such.

Communication of this European Technical Assessment, including transmission by electronic means, shall be in full. However, partial reproduction may only be made with the written consent of the issuing Technical Assessment Body. Any partial reproduction shall be identified as such.

This European Technical Assessment may be withdrawn by the issuing Technical Assessment Body, in particular pursuant to information by the Commission in accordance with Article 25(3) of Regulation (EU) No 305/2011.

**Specific Part**

**1 Technical description of the product**

The MKT Drop-in anchor E / ES is an anchor made of zinc-plated steel, of stainless steel or high corrosion resistant steel which is placed into a drilled hole and anchored by deformation-controlled expansion.

The product description is given in Annex A.

**2 Specification of the intended use in accordance with the applicable European Assessment Document**

The performances given in Section 3 are only valid if the anchor is used in compliance with the specifications and conditions given in Annex B.

The verifications and assessment methods on which this European Technical Assessment is based lead to the assumption of a working life of the anchor of at least 50 years. The indications given on the working life cannot be interpreted as a guarantee given by the producer, but are to be regarded only as a means for choosing the right products in relation to the expected economically reasonable working life of the works.

**3 Performance of the product and references to the methods used for its assessment**

**3.1 Mechanical resistance and stability (BWR 1)**

The essential characteristics regarding Mechanical resistance and stability are included under the Basic Works Requirement Safety in use.

**3.2 Safety in case of fire (BWR 2)**

Essential characteristic	Performance
Reaction to fire	Anchorage satisfy requirements for Class A1
Resistance to fire	See Annex C 4 to C 5

**3.3 Safety in use (BWR 4)**

Essential characteristic	Performance
Characteristic values for static and quasi- static actions	See Annex C 1 to C 3

**4 Assessment and verification of constancy of performance (AVCP) system applied, with reference to its legal base**

In accordance with guideline for European technical approval ETAG 001, April 2013 used as European Assessment Document (EAD) according to Article 66 Paragraph 3 of Regulation (EU) No 305/2011 the applicable European legal act is: [97/161/EC].

The system to be applied is: 2+

**5 Technical details necessary for the implementation of the AVCP system, as provided for in the applicable EAD**

Technical details necessary for the implementation of the AVCP system are laid down in the control plan deposited with Deutsches Institut für Bautechnik.

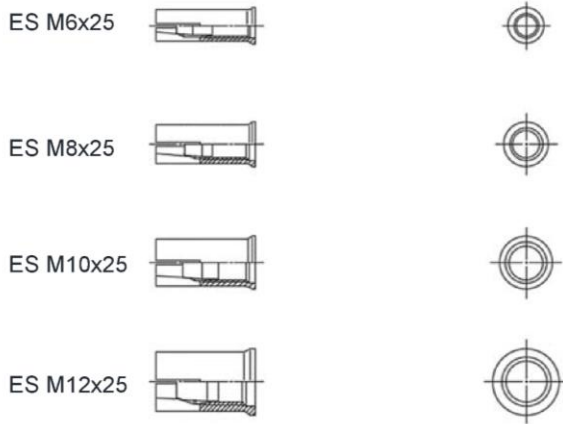
Issued in Berlin on 4 January 2017 by Deutsches Institut für Bautechnik

Andreas Kummerow  
p. p. Head of Department

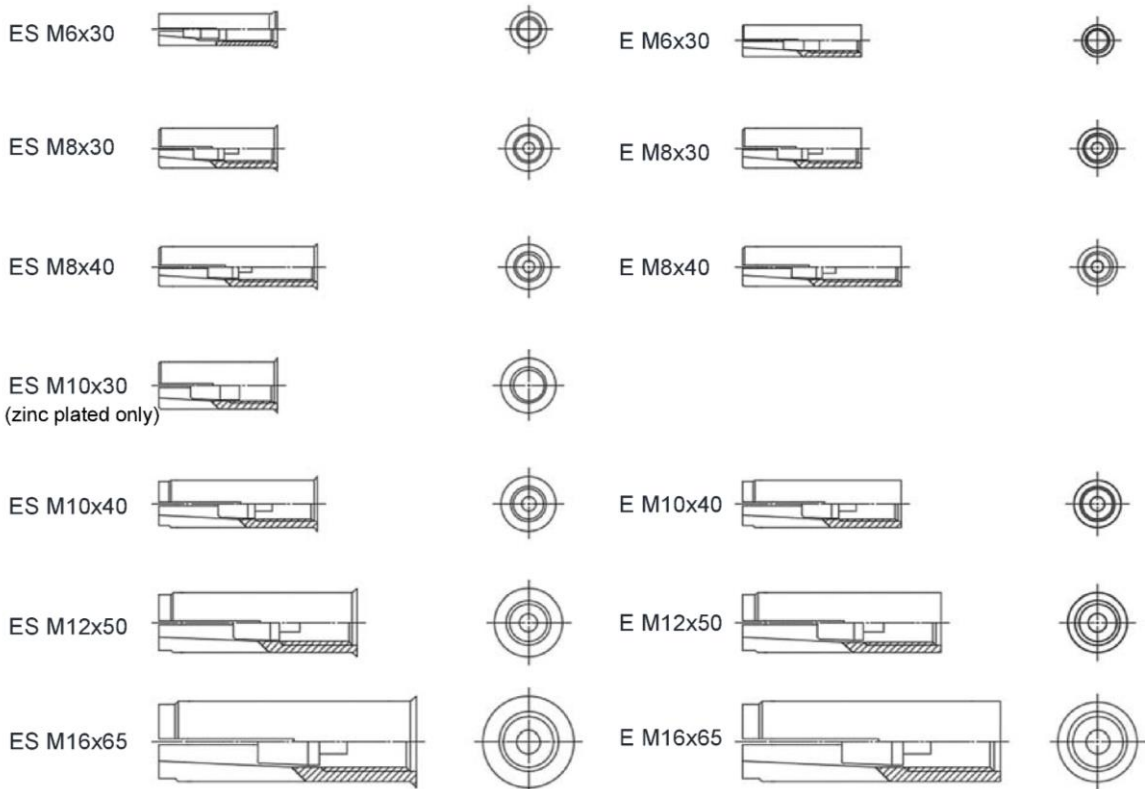
*beglaubigt:*  
Lange

## Drop-in Anchor E / ES

### Anchorage depth $h_{ef} = 25$ mm (zinc plated)



### Anchorage depth $h_{ef} \geq 30$ mm (zinc plated, A4 or HCR)

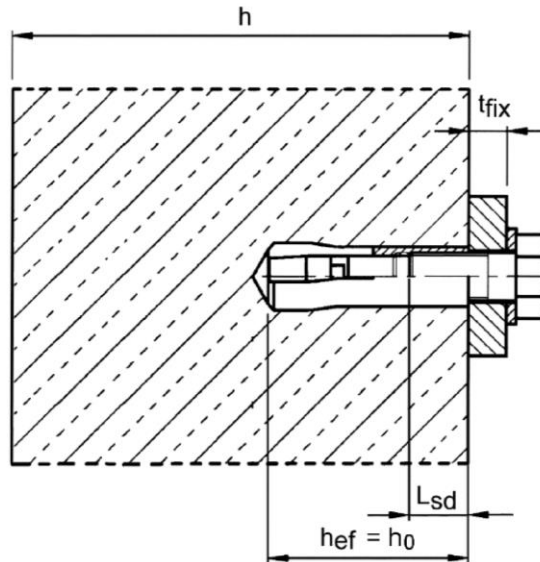


## Drop-in Anchor E / ES

Product description  
Anchor size

Annex A1

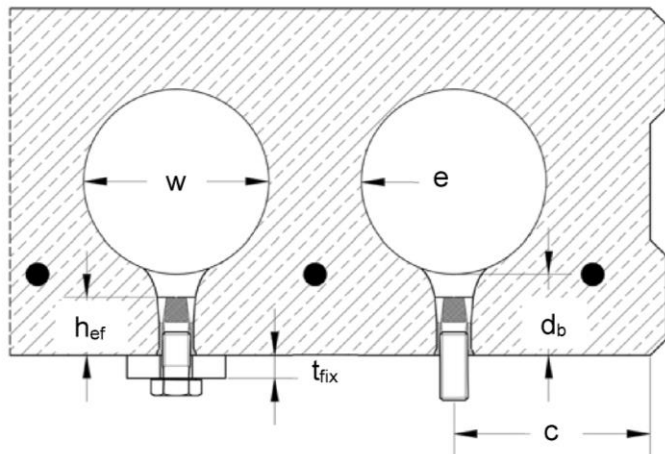
### Installation situation in concrete



### Installation situation in precast pre-stressed hollow core slabs for $h_{ef} = 25 \text{ mm}$

$w / e \leq 4,2$

- w core width
- e web thickness
- $d_b$  flange thickness  
 $\geq 35\text{mm}$  (or  $\geq 30\text{mm}$ , see Annex C3)
- $h_{ef}$  embedment depth
- $t_{fix}$  thickness of fixture
- c edge distance



### Drop-in Anchor E / ES

Product description  
Installation situation

Annex A2

**Table A1: Designation and Material Drop-in Anchor E / ES**

Part	Designation	Steel, zinc plated	Stainless steel A4	High corrosion resistant steel HCR
1	Anchor sleeve	Cold formed or machining steel, zinc plated, EN ISO 4042:1999	Stainless steel (e.g. 1.4401, 1.4404, 1.4571, 1.4362) EN 10088:2014, Property class 70, EN ISO 3506:2010	Stainless steel, 1.4529, 1.4565, EN 10088:2014, Property class 70, EN ISO 3506:2010
2	Cone	Cold formed or machining steel	Stainless steel (e.g. 1.4401, 1.4404, 1.4571, 1.4362) EN 10088:2014	

**Requirements on the fastening screw or the threaded rod and nut according to the engineering documents:**

- Minimum screw-in depth  $L_{sdmin}$  see Table B1 and B2
- The length of screw or the threaded rod shall be determined depending on the thickness of fixture  $t_{fix}$ , available thread length  $L_{th}$  (= maximum screw-in depth) and the minimum screw-in depth  $L_{sdmin}$ .
- $A_5 > 8\%$  Ductility

**Steel, zinc plated**

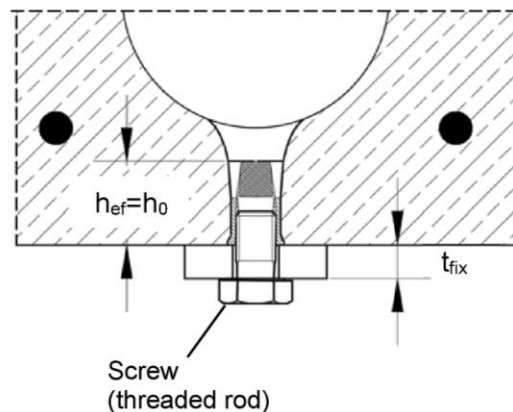
- Property class 4.6 / 4.8 / 5.6 / 5.8 or 8.8 according to EN ISO 898-1:2013 or EN ISO 898-2:2012

**Stainless steel A4**

- Material 1.4401; 1.4404; 1.4578; 1.4571; 1.4439; 1.4362 EN 10088:2014
- Property class 70 or 80 according to EN ISO 3506:2010

**High corrosion resistant steel (HCR)**

- Material 1.4529; 1.4565, according to EN 10088:2014
- Property class 70 or 80 according to EN ISO 3506:2010



**Drop-in Anchor E / ES**

**Product description**

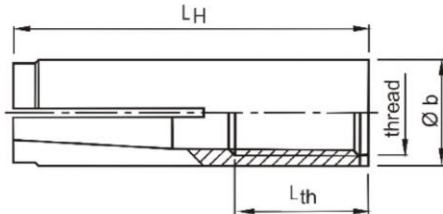
Material E / ES and requirements on the fastening screw or the threaded rod and nut

**Annex A3**



## Anchor sleeve

Anchor version without shoulder (E)

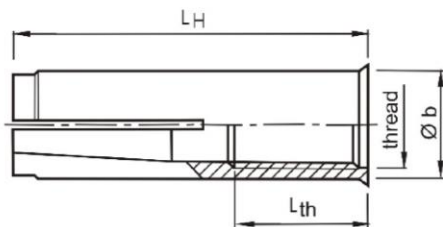


Marking: see Table A2

e.g.:  $\diamond$  E M8x40

$\diamond$  Identifying mark of manufacturing plant  
E Anchor identity (version without shoulder)  
ES Anchor identity (version with shoulder)  
M8 Size of thread  
40 Anchorage depth

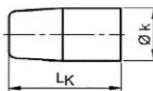
Anchor version with shoulder (ES)



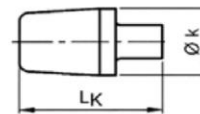
A4 additional marking  
of stainless steel A4

HCR additional marking of  
high corrosion resistant steel

Cone



Size M6x25 to M12x25,  
M6x30 and M10x30



Remaining sizes

Table A2: Dimensions and marking

Anchor size	Anchor sleeve				Cone		Marking		
	thread	Ø b	L <sub>H</sub>	L <sub>th</sub>	Ø k	L <sub>k</sub>	version E	version ES	alternatively
M6x25	M6	8	25	12	4,6	9	-	$\diamond$ ES M6x25	-
M6x30	M6	8	30	13	5,0	13	$\diamond$ E M6x30	$\diamond$ ES M6x30	$\diamond$ E M6
M8x25	M8	10	25	12	6,3	9	-	$\diamond$ ES M8x25	-
M8x30	M8	10	30	13	6,5	12	$\diamond$ E M8x30	$\diamond$ ES M8x30	$\diamond$ E M8
M8x40	M8	10	40	20	6,5	12	$\diamond$ E M8x40	$\diamond$ ES M8x40	$\diamond$ E M8x40
M10x25	M10	12	25	12	8,2	9	-	$\diamond$ ES M10x25	-
M10x30	M10	12	30	12	8,2	12	-	$\diamond$ ES M10x30	$\diamond$ E M10x30
M10x40	M10	12	40	15	8,2	16	$\diamond$ E M10x40	$\diamond$ ES M10x40	$\diamond$ E M10
M12x25	M12	15	25	12	9,7	10,7	-	$\diamond$ ES M12x25	-
M12x50	M12	15	50	18	10,3	20	$\diamond$ E M12x50	$\diamond$ ES M12x50	$\diamond$ E M12
M16x65	M16	19,7	65	23	13,8	29	$\diamond$ E M16x65	$\diamond$ ES M16x65	$\diamond$ E M16

Dimensions in mm

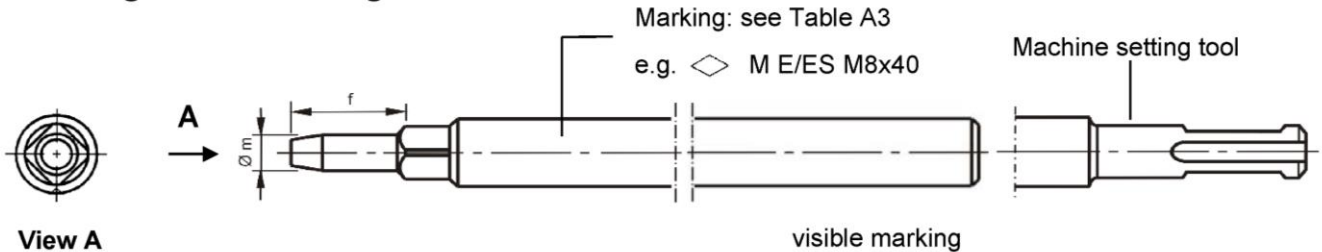
### Drop-in Anchor E / ES

Product description  
Dimensions and marking

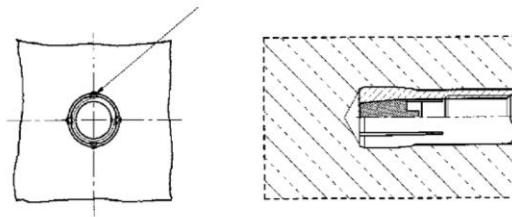
Annex A4



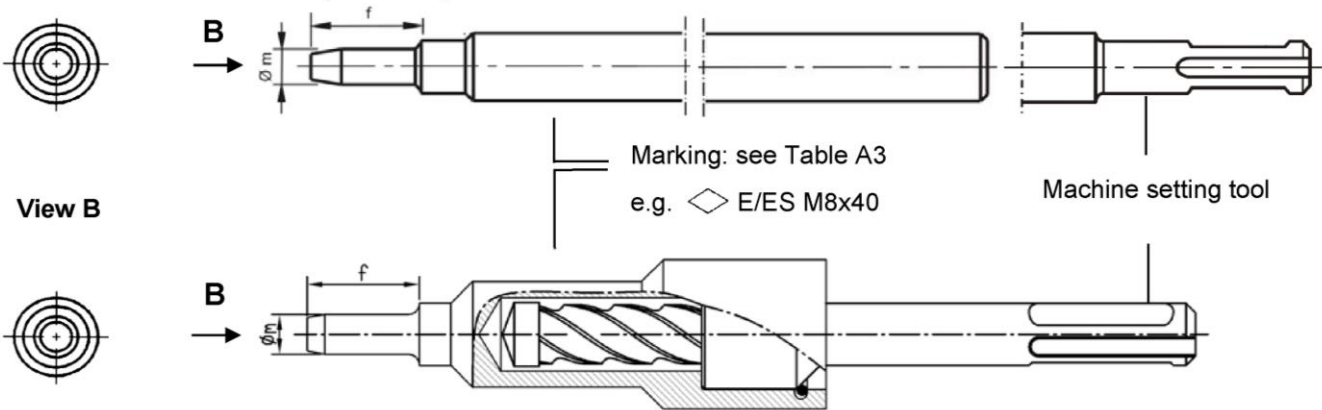
### Setting tool for marking



**Verification of correct installation with setting tool for marking**  
The setting tool leaves a visible marking after correct installation.



### Setting tool



**Table A3: Dimensions and marking of setting tools**

Anchor size	$\varnothing_m$	f	Setting tool for marking		Setting tool	
			Marking	alternatively	Marking	alternatively
M6x25	4,9	17	$\diamond M ES M6x25$	-	$\diamond ES M6x25$	-
M6x30	4,9	17	$\diamond M E/ES M6x30$	$\diamond M E M6$	$\diamond E/ES M6x30$	$\diamond E M6$
M8x25	6,4	17	$\diamond M ES M8x25$	-	$\diamond ES M8x25$	-
M8x30	6,4	18	$\diamond M E/ES M8x30$	$\diamond M E M8$	$\diamond E/ES M8x30$	$\diamond E M8$
M8x40	6,4	28	$\diamond M E/ES M8x40$	$\diamond M E M8x40$	$\diamond E/ES M8x40$	$\diamond E M8x40$
M10x25	8,0	18	$\diamond M ES M10x25$	-	$\diamond ES M10x25$	-
M10x30	8,0	18	$\diamond M ES M10x30$	$\diamond M E M10x30$	$\diamond ES M10x30$	$\diamond E M10x30$
M10x40	8,0	24	$\diamond M E/ES M10x40$	$\diamond M E M10$	$\diamond E/ES M10x40$	$\diamond E M10$
M12x25	10,0	15,5	$\diamond M ES M12x25$	-	$\diamond ES M12x25$	-
M12x50	10,0	30	$\diamond M E/ES M12x50$	$\diamond M E M12$	$\diamond E/ES M12x50$	$\diamond E M12$
M16x65	13,5	36	$\diamond M E/ES M16x65$	$\diamond M E M16$	$\diamond E/ES M16x65$	$\diamond E M16$

Dimensions in mm

### Drop-in Anchor E / ES

**Product description**  
Setting tools, dimensions and marking

**Annex A5**

## Specifications of intended use

Drop-in Anchor							
Anchorage depth $h_{ef} \geq 30$ mm	M6x30	M8x30	M8x40	M10x30	M10x40	M12x50	M16x65
Steel, zinc plated				✓			
Stainless steel A4 and high corrosion resistant steel HCR		✓		-		✓	
Static and quasi-static loads				✓			
Fire exposure				✓			
Cracked and uncracked concrete				✓			
Solid concrete <b>C20/25 to C50/60</b>				✓			
Anchorage depth $h_{ef} = 25$ mm	M6x25	M8x25	M10x25	M12x25			
Steel, zinc plated		✓					
Stainless steel A4 and high corrosion resistant steel HCR			-				
Static and quasi-static loads		✓					
Fire exposure (solid concrete, C20/25 to C50/60)		✓					
Cracked and uncracked concrete		✓					
Solid concrete <b>C12/15 to C50/60</b>		✓					
Precast pre-stressed hollow core slabs (C30/37 to C50/60)		✓					

### Base materials:

- reinforced or unreinforced normal weight concrete according to EN 206-1:2000

### Use conditions:

- Structures subject to dry internal conditions (zinc plated steel, stainless steel or high corrosion resistant steel).
- Structures subject to external atmospheric exposure (including industrial and marine environment) or exposure to permanently damp internal condition, if no particular aggressive conditions exist (stainless steel or high corrosion resistant steel).
- Structures subject to external atmospheric exposure and to permanently damp internal condition, if other particular aggressive conditions (high corrosion resistant steel).

Note: Particular aggressive conditions are e.g. permanent, alternating immersion in seawater or the splash zone of seawater, chloride atmosphere of indoor pools or atmosphere with extreme chemical pollution (e.g. in desulphurization plants or road tunnels where de-icing materials are used.)

## Drop-in Anchor E / ES

Intended use  
Specifications

Annex B1

## Specifications of intended use

### Design:

- Anchorages are designed under the responsibility of an engineer experienced in anchorages and concrete work.
- Verifiable calculation notes and drawings are prepared taking account of the loads to be anchored. The position of the anchor is indicated on the design drawings (e.g. position of the anchor relative to reinforcement or to supports, etc.).
- The strength class and the length of the fastening screw or threaded rod shall be defined by the designing engineer
- Anchorages under static or quasi-static actions for multiple use for non-structural applications are designed in accordance with:
  - ETAG 001, Annex C, design method B, Edition August 2010 or
  - CEN/TS 1992-4:2009, design method B
- Anchorages under static or quasi-static actions for precast pre-stressed hollow core slabs:
  - ETAG 001, Annex C, design method C, Edition August 2010.
  - CEN/TS 1992-4:2009, design method C
- Anchorages under fire exposure are designed in accordance with:
  - ETAG 001, Annex C, design method B, Edition August 2010 and EOTA Technical Report TR 020, Edition May 2004 or
  - CEN/TS 1992-4:2009, Annex D
  - It must be ensured that local spalling of the concrete cover does not occur.

### Installation:

- Anchor installation carried out by appropriately qualified personnel and under the supervision of the person responsible for technical matters of the site,
- Anchor installation in accordance with the manufacturer's specifications and drawings and using the appropriate tools,
- Drill hole by hammer drilling only (use of vacuum drill bits is admissible),
- Positioning of the drill holes without damaging the reinforcement.

Drop-in Anchor E / ES

Intended use  
Specifications

Annex B2

**Table B1: Installation parameters for  $h_{ef} \geq 30$  mm**

Anchor size		M6x30	M8x30	M8x40	M10x30	M10x40	M12x50	M16x65
Depth of drill hole	$h_0 =$ [mm]	30	30	40	30	40	50	65
Drill hole diameter	$d_0 =$ [mm]	8	10	10	12	12	15	20
Cutting diameter of drill bit	$d_{cut} \leq$ [mm]	8,45	10,45	10,45	12,5	12,5	15,5	20,55
Max. recommended installation torque	$T_{inst} \leq$ [Nm]	4	8	8	15	15	35	60
Diameter of clearance hole in the fixture	$d_f \leq$ [mm]	7	9	9	12	12	14	18
Available thread length	$L_{th}$ [mm]	13	13	20	12	15	18	23
Minimum screw-in depth	$L_{sdmin}$ [mm]	7	9	9	10	11	13	18
<b>Steel, zinc plated</b>								
Minimum thickness of member	$h_{min}$ [mm]	100	100	100	120	120	130	160
Minimum spacing	$s_{min}$ [mm]	55	60	80	100	100	120	150
Minimum distance	$c_{min}$ [mm]	95	95	95	115	135	165	200
<b>Stainless steel A4, HCR</b>								
Minimum thickness of member	$h_{min}$ [mm]	100	100	100	-	130	140	160
Minimum spacing	$s_{min}$ [mm]	50	60	80	-	100	120	150
Minimum distance	$c_{min}$ [mm]	80	95	95	-	135	165	200

**Table B2: Installation parameters for  $h_{ef} = 25$  mm**

Anchor size		M6x25	M8x25	M10x25	M12x25
Depth of drill hole	$h_0 =$ [mm]	25	25	25	25
Drill hole diameter	$d_0 =$ [mm]	8	10	12	15
Cutting diameter of drill bit	$d_{cut} \leq$ [mm]	8,45	10,45	12,5	15,5
Max. recommended installation torque	$T_{inst} \leq$ [Nm]	4	8	15	35
Diameter of clearance hole in the fixture	$d_f \leq$ [mm]	7	9	12	14
Available thread length	$L_{th}$ [mm]	12	12	12	12
Minimum screw-in depth	$L_{sdmin}$ [mm]	6	8	10	12
<b>Minimum</b> thickness of member	$h_{min,1}$ [mm]	<b>80</b>			
Minimum spacing	$s_{min}$ [mm]	30	70	70	100
Minimum edge distance	$c_{min}$ [mm]	60	100	100	130
<b>Standard</b> thickness of member	$h_{min,2}$ [mm]	<b>100</b>			
Minimum spacing	$s_{min}$ [mm]	30	50	60	100
Minimum edge distance	$c_{min}$ [mm]	60	100	100	110
<b>Installation in precast pre-stressed hollow core slabs C30/37 to C50/60</b>					
Spacing	$s_{min}$ [mm]	200			
Edge distance	$c_{min}$ [mm]	150			

**Drop-in Anchor E / ES**

**Intended use**  
Installation parameters

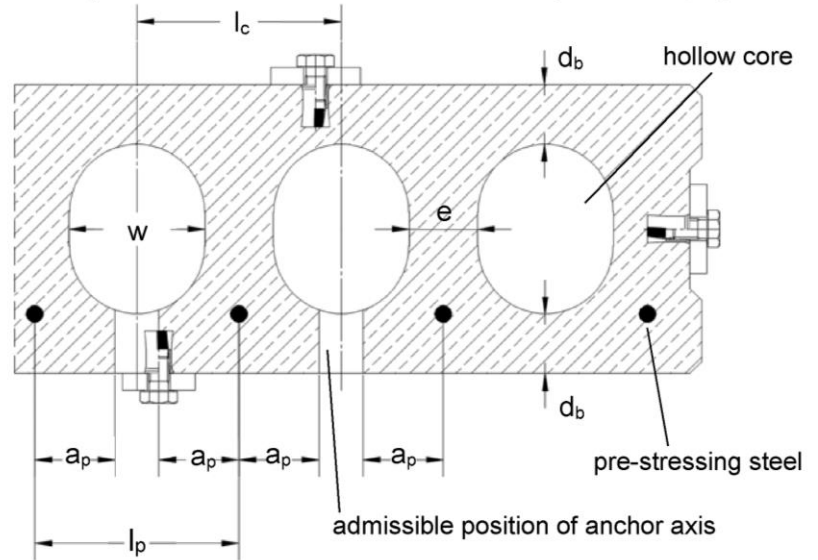
**Annex B3**

**Admissible anchor positions in precast pre-stressed hollow core slabs ( $w/e \leq 4,2$ )**

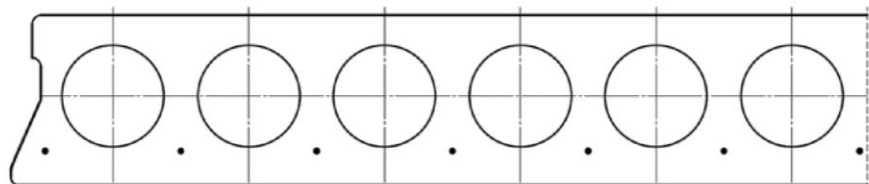
core distance:  
 $l_c \geq 100$  mm

pre-stressing steel distance:  
 $l_p \geq 100$  mm

distance between anchor  
position and pre-stressing steel:  
 $a_p \geq 50$  mm

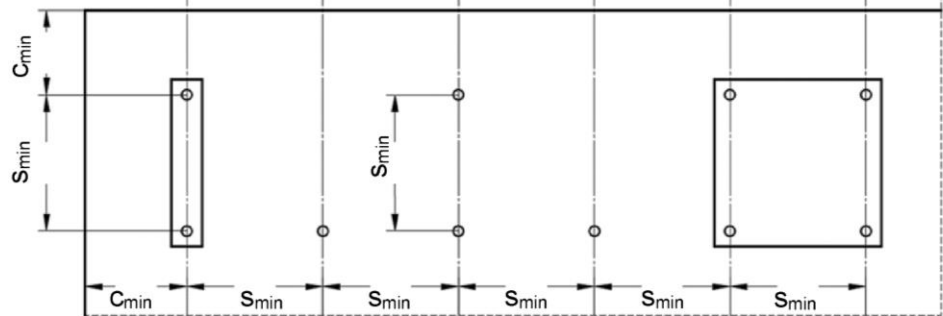


**Minimum spacing and edge distance of anchors and distance between anchor groups in precast pre-stressed hollow core slabs**



Minimum edge distance  
 $c_{min} \geq 150$  mm

Minimum anchor spacing  
 $s_{min} \geq 200$  mm



**Drop-in Anchor E / ES**

**Intended use**  
Installation in precast pre-stressed hollow core slabs

**Annex B4**



### Installation instructions for solid concrete slabs

1		<p>Drill hole perpendicular to concrete surface. When using vacuum drill bit proceed with step 3.</p>
2		<p>Blow out dust. Alternatively vacuum-clean down to the bottom of the hole.</p>
3		<p>Drive in anchor.</p>
4		<p>Drive in cone by using setting tool.</p>
5		<p>Shoulder of setting tool must fit on anchor rim.</p>
6		<p>Apply installation torque <math>T_{inst}</math> by using calibrated torque wrench.</p>

### Drop-in Anchor E / ES

**Intended use**  
Installation instructions for solid concrete slabs

**Annex B5**

### Installation instructions for precast pre-stressed hollow core slabs

1		Search for the position of the reinforcement.
2		Mark the position of the reinforcement and search for the other position of the reinforcement
3		Mark the positions of reinforcement.
4		Drill hole while maintaining the required distances.
5		Blow out dust. Alternatively vacuum clean down to the bottom of the hole.
6		Drive in anchor.
7		Drive in cone by using setting tool.
8		Shoulder of setting tool must fit on anchor rim.
9		Apply installation torque $T_{inst}$ by using calibrated torque wrench.

#### Drop-in Anchor E / ES

**Intended use**  
Installation instructions for precast pre-stressed hollow core slabs

**Annex B6**



**Table C1: Characteristic resistance for  $h_{ef} \geq 30$  mm in solid concrete slabs**

Anchor size			M6x30	M8x30	M8x40	M10x30	M10x40	M12x50	M16x65
<b>Load in any direction</b>									
Characteristic resistance in concrete <b>C20/25 to C50/60</b>	$F^{0}_{RK}$	[kN]	3	5	6	6	6	6	16
Partial safety factor	$\gamma_M$	[-]	1,8	2,16		2,1	2,16	1,8	1,8
Spacing	$s_{cr}$	[mm]	130	180	210	230	170	170	400
Edge distance	$c_{cr}$	[mm]	65	90	105	115	85	85	200
<b>Shear load with lever arm, Steel zinc plated</b>									
Characteristic resistance <b>(Steel 4.6)</b>	$M^{0}_{RK,s}{}^1$	[Nm]	6,1	15	15	30	30	52	133
Partial safety factor	$\gamma_{Ms}$	[-]	1,67						
Characteristic resistance <b>(Steel 4.8)</b>	$M^{0}_{RK,s}{}^1$	[Nm]	6,1	15	15	30	30	52	133
Partial safety factor	$\gamma_{Ms}$	[-]	1,25						
Characteristic resistance <b>(Steel 5.6)</b>	$M^{0}_{RK,s}{}^1$	[Nm]	7,6	19	19	37	37	65	166
Partial safety factor	$\gamma_{Ms}$	[-]	1,67						
Characteristic resistance <b>(Steel 5.8)</b>	$M^{0}_{RK,s}{}^1$	[Nm]	7,6	19	19	37	37	65	166
Partial safety factor	$\gamma_{Ms}$	[-]	1,25						
Characteristic resistance <b>(Steel 8.8)</b>	$M^{0}_{RK,s}{}^1$	[Nm]	12	30	30	59	60	105	266
Partial safety factor	$\gamma_{Ms}$	[-]	1,25						
<b>Shear load with lever arm, Stainless steel A4 / HCR</b>									
Characteristic resistance <b>(Property class 70)</b>	$M^{0}_{RK,s}{}^1$	[Nm]	11	26	26	-	52	92	233
Partial safety factor	$\gamma_{Ms}$	[-]	1,56						
Characteristic resistance <b>(Property class 80)</b>	$M^{0}_{RK,s}{}^1$	[Nm]	12	30	30	-	60	105	266
Partial safety factor	$\gamma_{Ms}$	[-]	1,33						

1) Characteristic bending moment  $M^{0}_{RK,s}{}^1$  for equation (5.5) in ETAG 001, Annex C or for equation (14) in CEN/TS 1992-4-4

**Drop-in Anchor E / ES**

**Performance**  
Characteristic resistance for  $h_{ef} \geq 30$  mm in solid concrete

**Annex C1**

**Table C2: Characteristic resistance for  $h_{ef} = 25$  mm in solid concrete slabs**

Anchor size			M6x25	M8x25	M10x25	M12x25
<b>Load in any direction</b>						
Characteristic resistance in concrete <b>C12/15 and C16/20</b>	$F^{0}_{Rk}$	[kN]	2,5	2,5	3,5	3,5
Characteristic resistance in concrete <b>C20/25 to C50/60</b>	$F^{0}_{Rk}$	[kN]	3,5	4,0	4,5	4,5
Partial safety factor	$\gamma_M$	[-]	1,5			
Spacing	$s_{cr}$	[mm]	75	75	75	75
Edge distance	$c_{cr}$	[mm]	38	38	38	38
<b>Shear load with lever arm</b>						
Characteristic resistance <b>(Steel 4.6)</b>	$M^{0}_{Rk,s}{}^{1)}$	[Nm]	6,1	15	30	52
Partial safety factor	$\gamma_{Ms}$	[-]	1,67			
Characteristic resistance <b>(Steel 4.8)</b>	$M^{0}_{Rk,s}{}^{1)}$	[Nm]	6,1	15	30	52
Partial safety factor	$\gamma_{Ms}$	[-]	1,25			
Characteristic resistance <b>(Steel 5.6)</b>	$M^{0}_{Rk,s}{}^{1)}$	[Nm]	7,6	19	37	65
Partial safety factor	$\gamma_{Ms}$	[-]	1,67			
Characteristic resistance <b>(Steel 5.8)</b>	$M^{0}_{Rk,s}{}^{1)}$	[Nm]	7,6	19	37	65
Partial safety factor	$\gamma_{Ms}$	[-]	1,25			
Characteristic resistance <b>(Steel 8.8)</b>	$M^{0}_{Rk,s}{}^{1)}$	[Nm]	12	30	60	105
Partial safety factor	$\gamma_{Ms}$	[-]	1,25			

<sup>1)</sup> Characteristic bending moment  $M^{0}_{Rk,s}$  for equation (5.5) in ETAG 001, Annex C or for equation (14) in CEN/TS 1992-4-4

**Drop-in Anchor E / ES**

**Performance**  
Characteristic resistance for  $h_{ef} = 25$  mm in solid concrete

**Annex C2**

**Table C3: Characteristic resistance for  $h_{ef} = 25$  mm in precast pre-stressed hollow core slabs**

Anchor size			M6x25	M8x25	M10x25	M12x25
<b>Load in any direction</b>						
Flange thickness	$d_b$	[mm]	$\geq 35$ (30) <sup>1)</sup>			
Characteristic resistance in precast pre-stressed hollow core slabs <b>C30/37 to C50/60</b>	$F_{Rk}$	[kN]	3,5	4,0	4,5	4,5
Partial safety factor	$\gamma_M$	[-]	1,5			
Spacing	$s_{cr}$	[mm]	200			
Edge distance	$c_{cr}$	[mm]	150			
<b>Shear load with lever arm</b>						
Characteristic resistance <b>(Steel 4.6)</b>	$M^0_{Rk,s^{(2)}}$	[Nm]	6,1	15	30	52
Partial safety factor	$\gamma_{Ms}$	[-]	1,67			
Characteristic resistance <b>(Steel 4.8)</b>	$M^0_{Rk,s^{(2)}}$	[Nm]	6,1	15	30	52
Partial safety factor	$\gamma_{Ms}$	[-]	1,25			
Characteristic resistance <b>(Steel 5.6)</b>	$M^0_{Rk,s^{(2)}}$	[Nm]	7,6	19	37	65
Partial safety factor	$\gamma_{Ms}$	[-]	1,67			
Characteristic resistance <b>(Steel 5.8)</b>	$M^0_{Rk,s^{(2)}}$	[Nm]	7,6	19	37	65
Partial safety factor	$\gamma_{Ms}$	[-]	1,25			
Characteristic resistance <b>(Steel 8.8)</b>	$M^0_{Rk,s^{(2)}}$	[Nm]	12	30	60	105
Partial safety factor	$\gamma_{Ms}$	[-]	1,25			

<sup>1)</sup> The anchor may be set in a flange thickness of 30 mm with identical characteristic loads, if the borehole cuts no hollow core.

<sup>2)</sup> Characteristic bending moment  $M^0_{Rk,s}$  for equation (5.5) in ETAG 001, Annex C or for equation (14) in CEN/TS 1992-4-4

**Drop-in Anchor E / ES**

**Performance**

Characteristic resistance for  $h_{ef} = 25$  mm in precast pre-stressed hollow core slabs

**Annex C3**

**Table C4: Characteristic values under fire exposure in solid concrete slabs C20/25 to C50/60 for  $h_{ef} \geq 30$  mm**

Anchor size				M6x30	M8x30	M8x40	M10x30	M10x40	M12x50	M16x65	
<b>Fire resistance class</b>	<b>Load in any direction</b>										
Steel 4.6	R 30	Characteristic resistance	$F^{0}_{Rk,fi}$	[kN]	0,4	0,6	0,6	0,9	0,9	1,5	3,1
	R 60			[kN]	0,35	0,6	0,6	0,8	0,8	1,3	2,4
	R 90			[kN]	0,30	0,6	0,6	0,6	0,6	1,1	2,0
	R 120			[kN]	0,25	0,5	0,5	0,5	0,5	0,8	1,6
Steel 4.8	R 30	Characteristic resistance	$F^{0}_{Rk,fi}$	[kN]	0,4	0,9	1,1	0,9	1,5	1,5	4,0
	R 60			[kN]	0,35	0,9	0,9	0,9	1,5	1,5	4,0
	R 90			[kN]	0,3	0,6	0,6	0,9	1,1	1,5	3,0
	R 120			[kN]	0,3	0,5	0,5	0,7	0,9	1,2	2,4
Steel $\geq 5.6$	R 30	Characteristic resistance	$F^{0}_{Rk,fi}$	[kN]	0,8	0,9	1,5	0,9	1,5	1,5	4,0
	R 60			[kN]	0,8	0,9	1,5	0,9	1,5	1,5	4,0
	R 90			[kN]	0,4	0,9	0,9	0,9	1,5	1,5	3,7
	R 120			[kN]	0,3	0,5	0,5	0,7	1,0	1,2	2,4
A4 / HCR	R 30	Characteristic resistance	$F^{0}_{Rk,fi}$	[kN]	0,8	0,9	1,5	-	1,5	1,5	4,0
	R 60			[kN]	0,8	0,9	1,5	-	1,5	1,5	4,0
	R 90			[kN]	0,4	0,9	0,9	-	1,5	1,5	3,7
	R 120			[kN]	0,3	0,5	0,5	-	1,0	1,2	2,4
Partial safety factor $\gamma_{M,fi}$			[-]	1,0							
<b>Steel zinc plated</b>											
R 30 – R 120	Spacing	$s_{cr,fi}$	[mm]	130	180	210	170	170	200	400	
	Edge distance	$c_{cr,fi}$	[mm]	65	90	105	85	85	100	200	
If the fire attack is from more than one side, the edge distance shall be $\geq 300$ mm.											
<b>Stainless steel A4, HCR</b>											
R 30 – R 120	Spacing	$s_{cr,fi}$	[mm]	130	180	210	-	170	200	400	
	Edge distance	$c_{cr,fi}$	[mm]	65	90	105	-	85	100	200	
If the fire attack is from more than one side, the edge distance shall be $\geq 300$ mm.											

**Drop-in Anchor E / ES**

**Performance**  
Characteristic values under fire exposure for  $h_{ef} \geq 30$  mm

**Annex C4**

**Table C5: Characteristic values under fire exposure in solid concrete slabs C20/25 to C50/60 for  $h_{ef} = 25$  mm**

Anchor size		M6x25	M8x25	M10x25	M12x25		
Fire resistance class	Load in any direction						
Steel $\geq 4.6$	R 30	Characteristic resistance $F^0_{Rk,fi}$	[kN]	0,4	0,6	0,6	0,6
	R 60		[kN]	0,35	0,6	0,6	0,6
	R 90		[kN]	0,30	0,6	0,6	0,6
	R 120		[kN]	0,25	0,5	0,5	0,5
Partial safety factor $\gamma_{M,fi}$		[-]	1,0				
R 30 – R 120	Spacing	$s_{cr,fi}$	[mm]	100	100	100	100
	Edge distance	$c_{cr,fi}$	[mm]	50	50	50	50
	If the fire attack is from more than one side, the edge distance shall be $\geq 300$ mm.						

**Drop-in Anchor E / ES**

**Performance**  
Characteristic values under fire exposure for  $h_{ef} = 25$  mm

**Annex C5**